

Model# 90AT01WF01

On-Wall Bottle Filler

Product Description

The Aquatru Pro Series On-Wall Bottle filler shall be wall-mounted, filtered, and refrigerated. Bottle Filler shall be built with a Stainless-Steel exterior, with a cooling system using R290 refrigerant, and able to produce 9.5 GPH of chilled water under ASHRAE 18 standard testing. The filter shall reduce Chlorine, PFAS/PFOS Cyst, taste and odor, Lead, and Particulate Class 1. Bottle Filler shall have a digital bottle count display indicating the number of 16 oz plastic bottles saved. Bottle count shall be measured by the metered flow meter. Bottle Filler shall have a visual filter display indicating filter status and the need for replacement. Unit shall be rated for indoor installation or outdoor in covered applications.

Product Specifications

Water	Refrigerated only
Filter Stages	Sediment and Carbon
Finish	Steel and Textured Plastic
Power	120 VAC 60hz
Activation by	IR Sensor
No. of Stations Served	1
Mounting Type	Wall Mounted
Chilling Capacity	9.5 GPH
Cooling Power	450W
Dimensions (L x W x H)	18.5" X 16.735" X 55.12"
Approx. Shipping Weight	70lbs
Installation Location	Indoor and outdoors covered
Rated Flow Rate	1 GPM



Certified to UL399 by SGS China

Certified to NSF/ANSI 42, 53, 61 (Q_s1), & 372 (lead free), ASME A112.19.3/CSA B45.4, and CAN/CSA C22.2 No. 120 by IAPMO R&T

Complies with ADA & ICC A117.1 accessibility requirements when installed according to the requirements outlined in these standards.



Cooling System:

- Compressor: Hermetically sealed, reciprocating type. Sealed in lifetime lubrication
- Condenser: Dual DC fan cooled copper tube aluminum fin radiator.
- Refrigerant Control: Refrigerant R290 (Propane) is controlled by calibrated capillary tube.
- Temperature Control: Easily Accessed internal thermostat.

PART: _____ QTY: _____

PROJECT: _____

CONTACT: _____

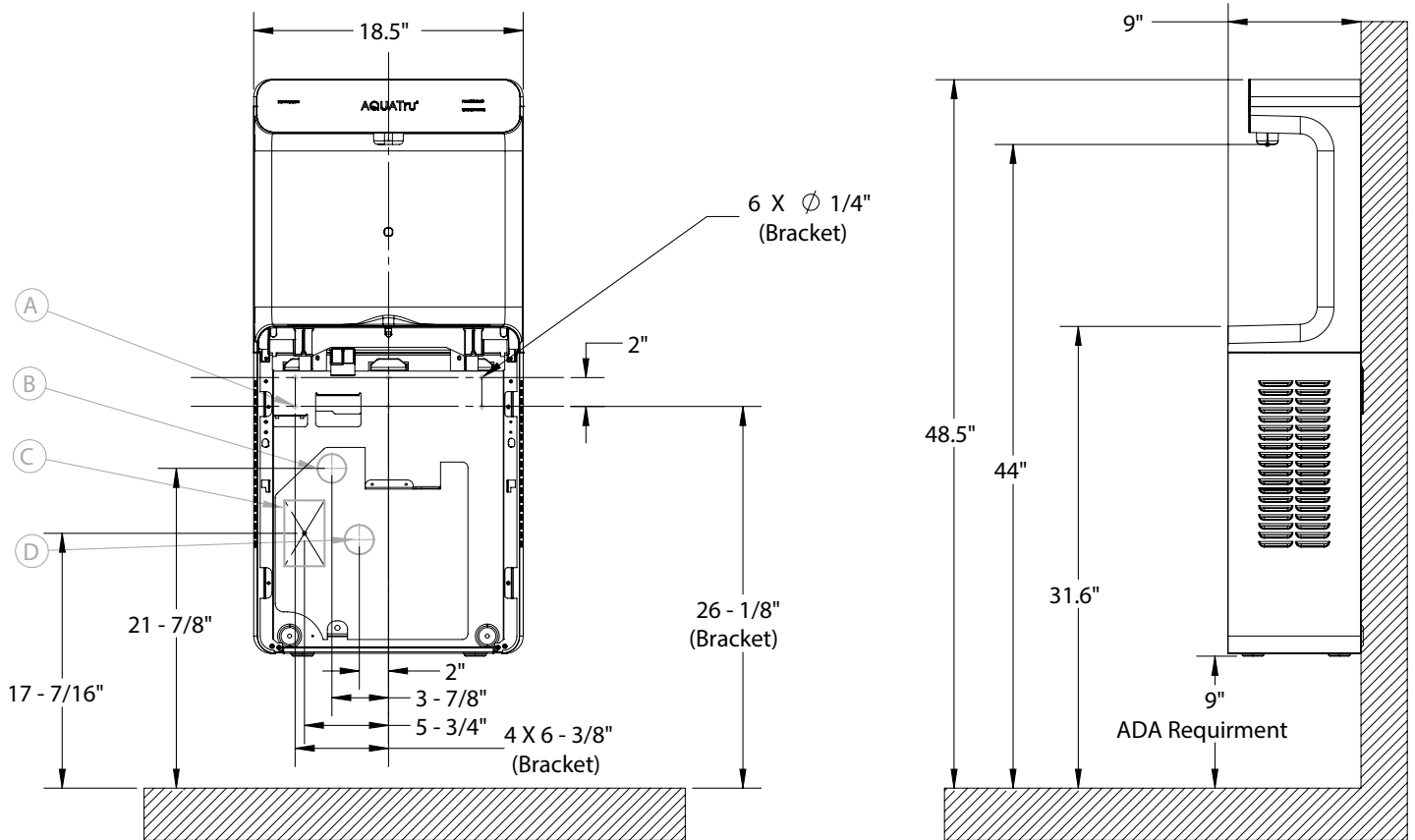
DATE: _____

NOTES: _____

APPROVAL: _____

On-Wall Bottle Filler

Installation And Placement Drawings for the Aquatru On-Wall Bottle Filler



- A. MOUNTING BRACKET BOLT HOLES
- B. RECOMMENDED DRAIN LINE PLACEMENT
- C. RECOMMENDED ELECTRICAL SOCKET PLACEMENT
- D. RECOMMENDED WATER SUPPLY PLACEMENT

NOTE: TO INSTALL DEVICE ACCORDING TO ADA REQUIRMENTS DO THE FOLLOWING:

1. LOCATE THE CENTER LINE OF THE INTENDED INSTALLATION LOCATION
2. MEASURE UP 26 - 1/8" FROM THE FLOOR AND SCRIBE A LINE. THIS LINE MARKS THE HEIGHT OF THE LOWER BOLT HOLES FOR THE HANGER BRACKET